

d¹

design.

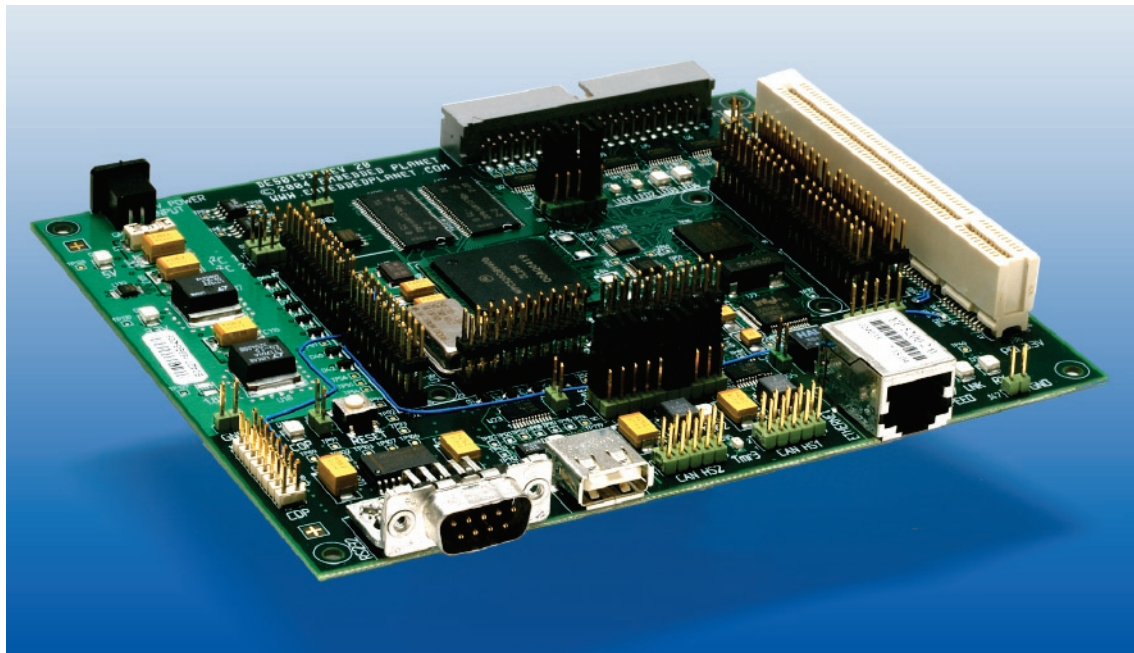
d²

develop.

d³

deploy.

Embedded Planet EP5200C



Features:

- Freescale MPC5200 PowerPC Processor
- SDRAM 64 or 128MB
- FLASH 8 or 16MB
- LocalPlus Bus processor interface
- 10/100BaseT Ethernet
- Two CAN high speed interfaces
- RS-232 serial port
- PCI slot, 32-bit 33MHz 3.3 VDC
- ATA 40 pin connector
- USB
- GPIO interface
- Debug COP/JTAG
- Serial EEPROM I2C
- 5 VDC single power supply source
- Mechanical 7.4 x 4.375 inches
- Operating Range 0° C to 70° C, Extended Temperature Range -40° C to 85° C available

Flexible Single Board Computer

The EP5200C single board computers take advantage of the Freescale MPC5200 processors. By integrating all of the features of the MPC5200 PowerPC into a production ready embedded development system, the EP5200C reduces Time-To-Market and increases product reliability for Communications, Military/Aerospace, Medical, and Industrial applications. The EP5200C single board computers include an expansion bus for additional I/O expansion.

Product Options

Single Board Computer includes a cable kit, power supply, and CD with complete documentation. Design Kits are available with schematic and firmware source. Embedded Planet provides customization and integration services. Production board population options can be configured to match customer requirements.

design.

The next generation of connected devices.

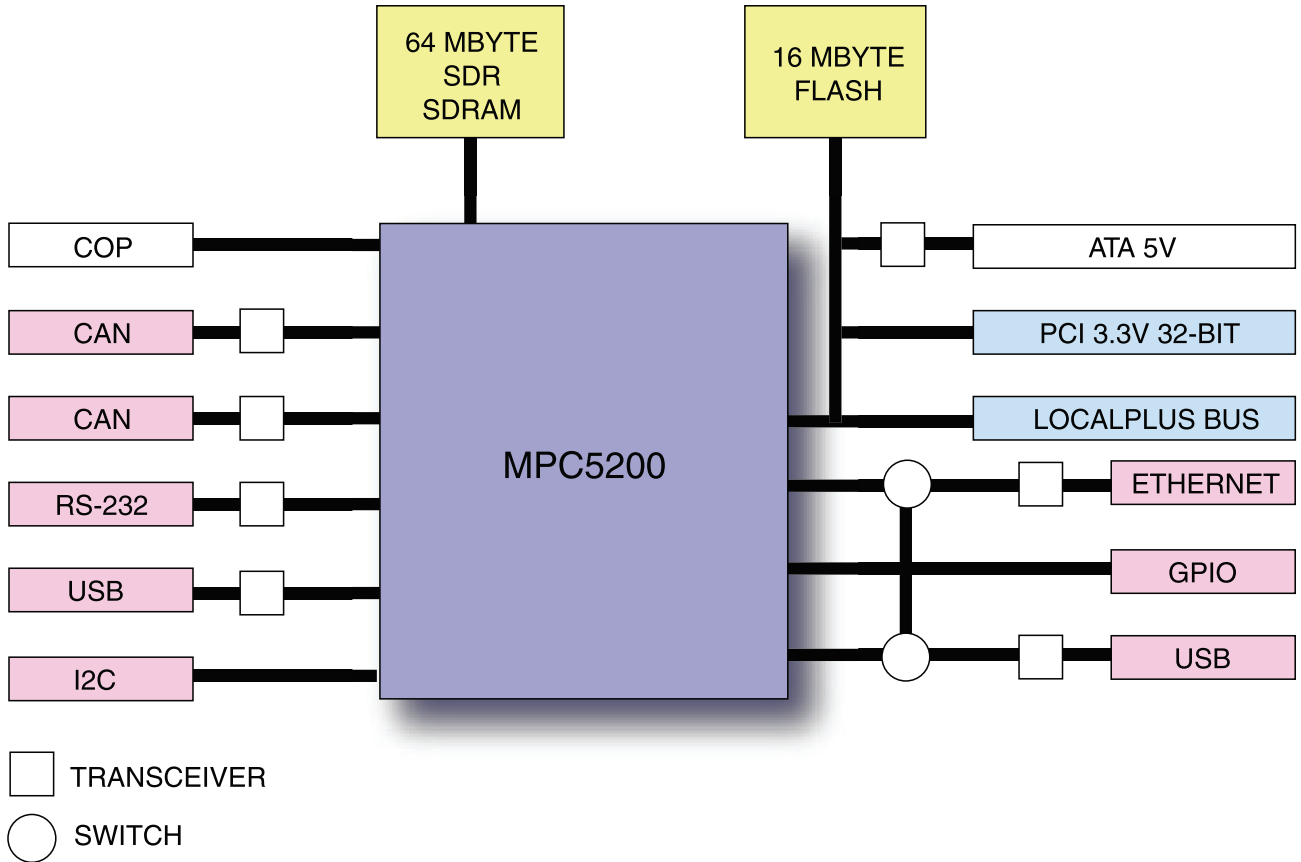
develop.

Your products based on our platform.

deploy.

Your solution faster.

Block Diagram



Software and Development Tools

Linux BSP and VxWorks BSPs are available from Embedded Planet. The BSP development CDs come complete with documentation, source code, pre-compiled images, build files and tools.

INTEGRITY BSP is available from Green Hills Software. Other RTOS options are also available.

dBUG firmware is provided with each module and includes a Bootloader, Flash Burner, and Diagnostics. Download and run applications via Ethernet or serial, test board hardware, and burn images to Flash.

Complete line of low level and application level TCP/IP stack and protocols code is available.

This material is the copyright of Embedded Planet 1997-2004. Embedded Planet is a registered Trademark. Other company and product names may be trademarks of their respective owners.

Contact Embedded Planet sales:
www.embeddedplanet.com or
 email info@embeddedplanet.com
 phone (216) 245-4180