

d<sup>1</sup>

design.

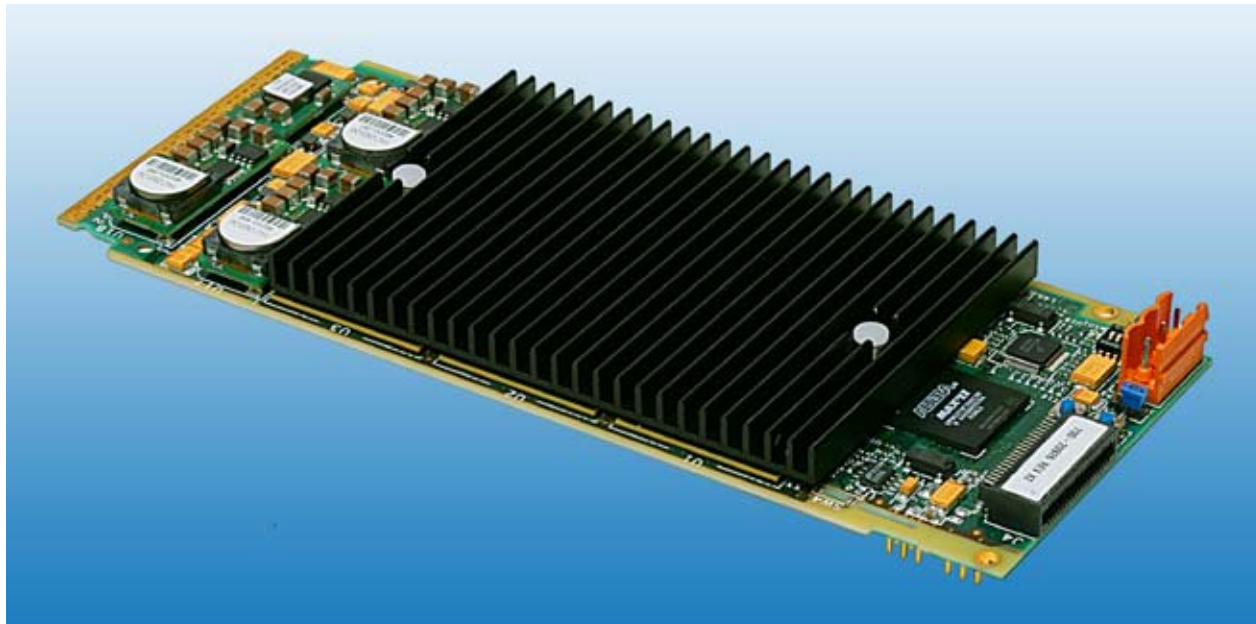
d<sup>2</sup>

develop.

d<sup>3</sup>

deploy.

## Embedded Planet EP8144A



### Features:

- **Processor:** 6 Freescale MSC8144 StarCore DSPs
- **RAM:** Each MSC8144 has an integrated 10.5MB of RAM
- **SRIO:** 4 of the MSC8144 devices have their SRIO interfaces mapped to AMC channels 4 - 7 (AMC.4)
- **Ethernet:** Dual Gigabit Ethernet to AMC channels 0 and 1 (AMC.2, Type E2) and single port to front panel with Layer 2 switch connecting GigE ports to each of the MSC8144s
- **Power Supply:** Via AMC connector per AMC.0
- **Form Factor:** Single width, full height AMC.0, AMC.4 and AMC.2 compliant
- **Debug:** On board JTAG allows debugging of all DSPs

### Advanced Mezzanine Card (AMC)

The EP8144A is an AMC.4 compliant Advanced Mezzanine Card (AMC) designed as a modular and scalable evaluation platform for Multi-service Media Gateway and Remote Access Concentrator systems. The Serial RapidIO backplane interface makes the EP8144A an ideal development system for OEMs to evaluate, develop and test telephony software, offering a significant time-to-market advantage.

The EP8144A utilizes six MSC8144 devices in a DSP array. Four of the cores have direct SRIO connections to the fat pipes region of the AMC connector (channels 4 - 7), allowing for high speed, deterministic access to these devices. The DSPs are interconnected via a Layer 2 Gigabit Ethernet switch. The switch also routes two Gigabit Ethernet ports to the AMC channel 0 and channel 1 in the common options region (AMC.2 type E2) and one port to the front panel. For custom telephony applications the EP8144A maps the TDM bus to the Extended Options region of the AMC connector.

The MSC8144 is a highly integrated DSP SoC, which includes 4 DSP cores that run up to 1GHz, 10.5MB of memory, and QUICC Engine technology to offload communications protocols such as SerialRapidIO, GigE, UTOPIA, and TDM. The high levels of integration reduce overall power consumption and simplifies system design while increasing performance.

**design.**

The next generation of connected devices.

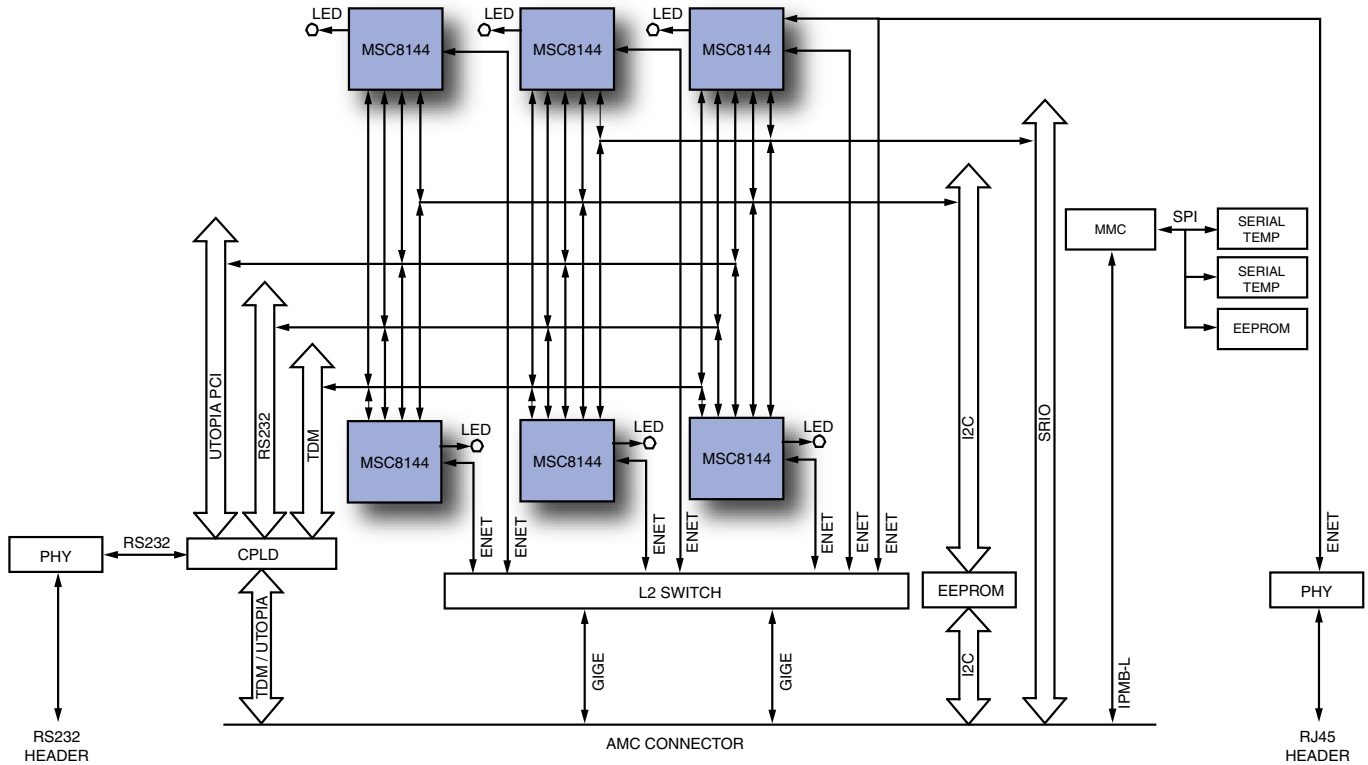
**develop.**

Your products based on our platform.

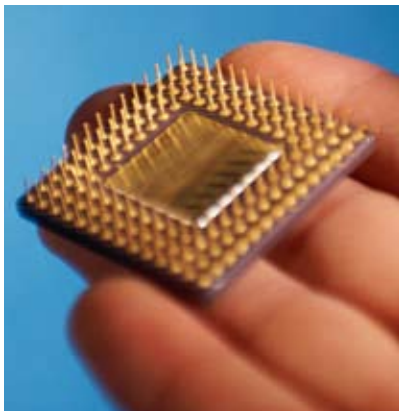
**deploy.**

Your solution faster.

# Block Diagram



## Let Us Do The Heavy Lifting



- Embedded Planet offers a complete set of software and hardware training and customization services to go along with our Off-the-Shelf solutions.
- Our training classes in Linux, VxWorks, and Eclipse can help your engineering team shrink their time-to-productivity and help ensure higher quality products.
- Our custom diagnostics tools, Eclipse applications, U-Boot porting, Linux, Green Hills INTEGRITY, and VxWorks BSPs and applications can extend your engineering team and shrink your time to market.
- Contact Embedded Planet to find out how our Professional Services Division can accelerate your project.

This material is the copyright of Embedded Planet 1997-2006. Embedded Planet is a registered Trademark. Other company and product names may be trademarks of their respective owners. Product specifications subject to change without notice.

Contact Embedded Planet sales:  
[www.embeddedplanet.com](http://www.embeddedplanet.com)  
 or email [info@embeddedplanet.com](mailto:info@embeddedplanet.com)  
 phone (216) 245-4180