



The EP8245M is a PrPMC compatible single board computer module that takes advantage of the Freescale PowerQUICC II MPC8245 PowerPC processor.

It is a highly versatile board that can operate as stand alone module or in PrPMC monarch and non-monarch modes on a carrier board such as a Compact PCI blade.

By integrating all of the features of the PowerQUICC II technology onto one single board, the computing engines reduce Time-To-Market and increase product reliability.

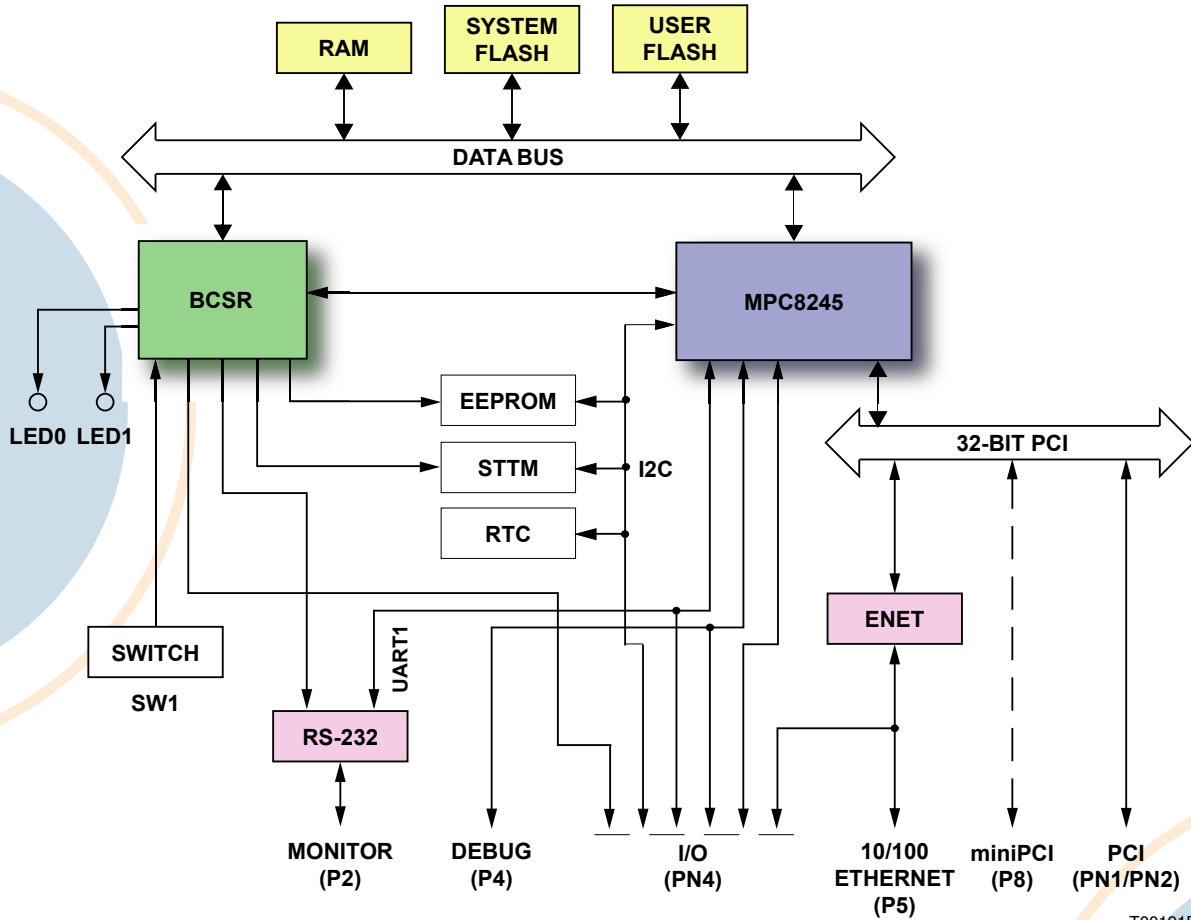
This module can be used standalone and includes a MiniPCI interface for Wireless LAN applications.

Feature Summary:

Specification:	Description:
Form Factor:	PrPMC
PMC Connectors:	PCI 2.2 bus through PMC connectors
Front Panel:	One 10/100 BaseT Ethernet Two RS-232 serial monitor port
Processor:	Freescale PowerQUICC II MPC8245 PowerPC
Memory:	RAM: Up to 256MB SDRAM FLASH: Up to 64MB
Debug:	JTAG/COP via an onboard connector
Power Supply:	5 VDC single supply
Software:	Linux and VxWorks BSPs are available from Embedded Planet

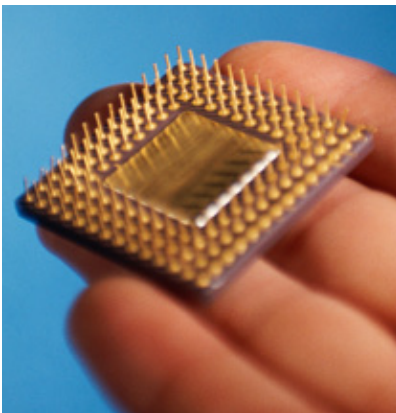


Hardware Block Diagram



T00191B

Let Us Do The Heavy Lifting



- Embedded Planet offers a complete set of software and hardware services to go along with our Off-the-Shelf solutions.
- Embedded Planet has extensive experience with embedded operating systems and firmware. Our stock configurations of operating systems and firmware can be customized to meet your particular needs.
- We can alleviate the headaches associated with volume production of embedded systems. Your product is delivered 100% tested from an ISO-9002 certified manufacturing facility.
- Our capabilities are available on a project basis to design custom solutions specifically tailored to your application.
- Contact Embedded Planet to find out how we can accelerate your project.