

The EP8260C uses the Freescale's PowerQUICC II family, MPC8260 or MPC8255, to create a full featured, power sensitive Computer-On-Module (COM) .

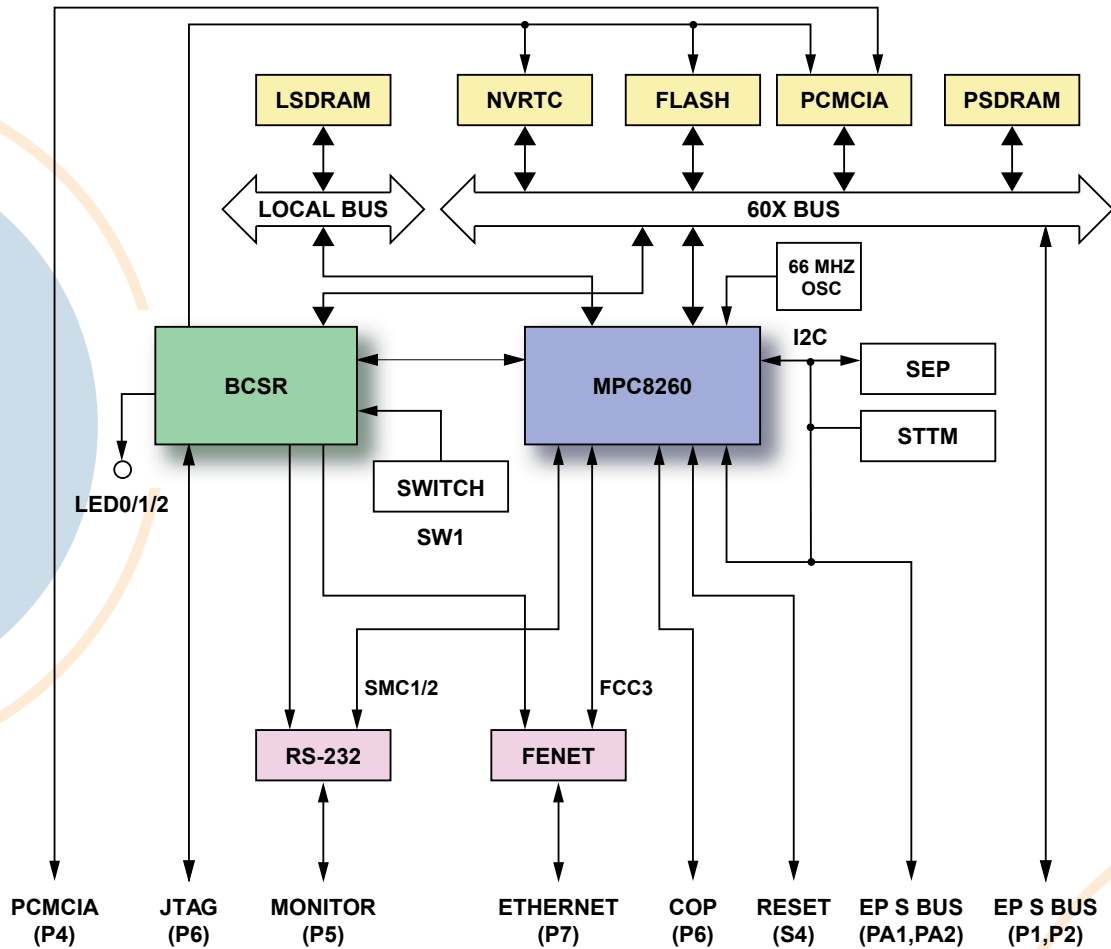
The MPC8260 and MPC8255 feature an integrated PowerPC core and Communications Processor Module (CPM) to provide scalable computing solution for networked devices. The PowerPC core is a G2 core that can run at speeds up to 300MHz and provides general purpose control and computing functionality, while the CPM can offload communications functions such as ATM, Ethernet, and TDM interfaces. This powerful combination of features integrated into one package reduces board components, power consumption, and time-to-market.

The processor expansion bus available on the EP8260C routes all of the processor and CPM signals to standard connectors, allowing you to "plug-in" the power of the PowerQUICC II. Like all Embedded Planet products, the EP8260C can be custom configured to meet your requirements and is volume production ready.

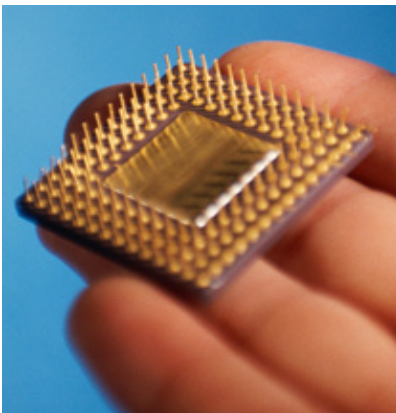
## Feature Summary:

Specification:	Description:
Form Factor:	PC/104 Mechanical (90mm x 96mm)
Expansion:	EP S Bus for direct access to processor signals
Ports:	One 10/100 Ethernet Ports Serial Ports: 1 x RS-232
Processor:	Freescale PowerPC PowerQUICC II 8260 and 8255 processors
Memory:	RAM: Up to 256MB main SDRAM, Up to 128MB Local Bus SDRAM FLASH: Up to 32MB
Debug:	JTAG/COP via an onboard connector
Power Supply:	5 VDC Single Supply
Software:	PlanetCore firmware is provided with each module and includes a Bootloader, Flash Burner, and Diagnostics

### Hardware Block Diagram



## Let Us Do The Heavy Lifting



- Embedded Planet offers a complete set of software and hardware services to go along with our Off-the-Shelf solutions.
- Embedded Planet has extensive experience with embedded operating systems and firmware. Our stock configurations of operating systems and firmware can be customized to meet your particular needs.
- We can alleviate the headaches associated with volume production of embedded systems. Your product is delivered 100% tested from an ISO-9002 certified manufacturing facility.
- Our capabilities are available on a project basis to design custom solutions specifically tailored to your application.
- Contact Embedded Planet to find out how we can accelerate your project.