

The EP88xS uses Freescale PowerQUICC I MPC885 and MPC880 processors to create a compact and powerful credit card sized single board computer module. The small form factor and expansion bus capability make the EP88xS the ideal board for implementing a cost-efficient yet powerful embedded CPU module. You can take the CPU design out of your critical path and concentrate on your application specific hardware.

The MPC885 and MPC880 processors feature an integrated PowerPC core and Communications Processor Module (CPM) to provide a scalable computing solution for networked devices. The PowerPC core can run at speeds of 133MHz and provide general purpose control and computing functionality, while the dedicated CPM offloads communications functions such as USB, Fast Ethernet, HDLC, and ATM. In addition the MPC885 includes an integrated security engine to accelerate processing of encryption protocols such as AES, DES/3DES, and SHA/MD5/HMAC.

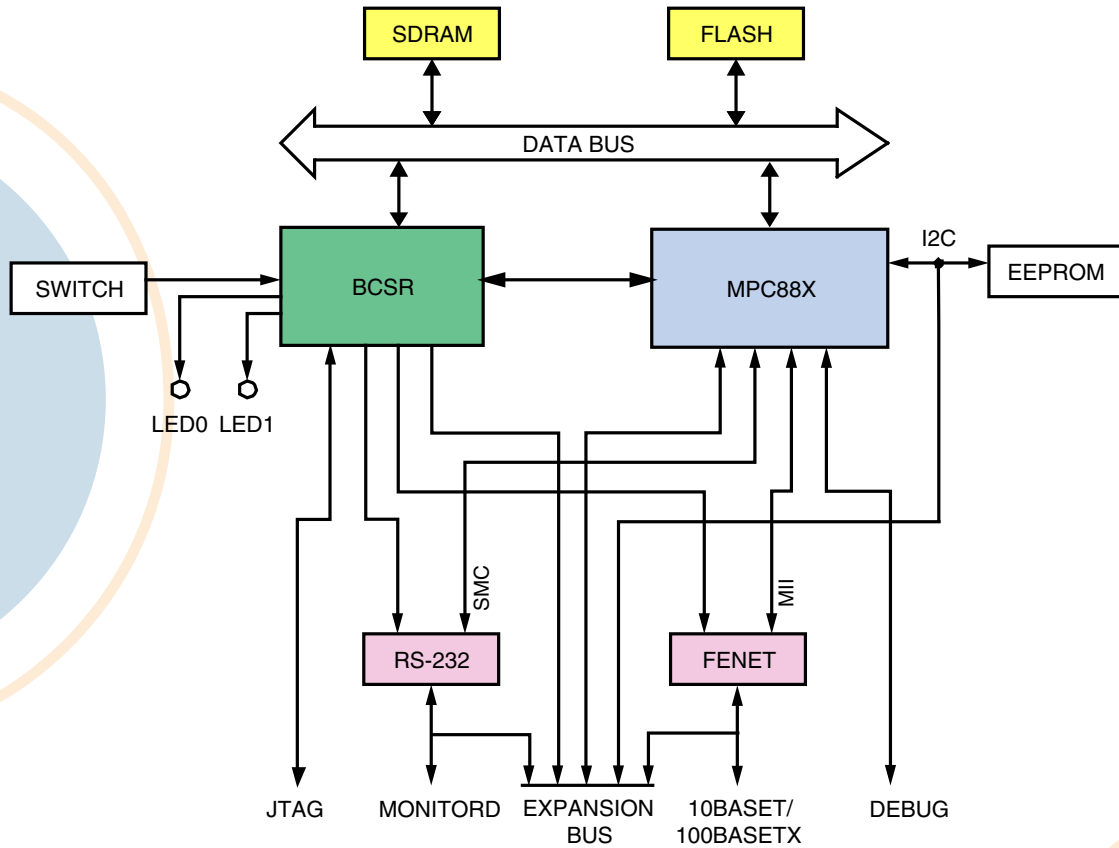
The processor expansion bus on the EP88xS brings all of the processor signals to standard connectors allowing you simple and full access to the power of the processor. Like all Embedded Planet products, the EP88xS can be custom configured to meet your requirements and is volume production ready.

Feature Summary:

Specification:	Description:
Processor:	MPC880 or MPC885 at up to 133MHz
Memory:	RAM: Up to 64MB of SDRAM FLASH: Up to 32MB of Flash
Ethernet:	10/100 to RJ-45 or expansion bus
Serial Ports:	RS-232 port available on header and expansion bus
Expansion:	EBC bus brings out CPU signals for "drop-in" CPU module
I2C Devices:	Up to 8kB of EEPROM for configuration data
Debug:	On-board JTAG connection for simplicity in software debug
Power Supply:	Single 3.3V power supply connection
Form Factor:	Credit Card (3.55in x 2.67in)

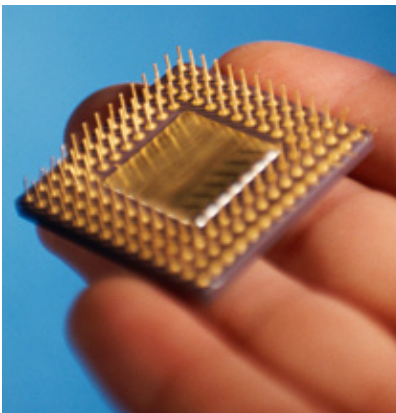


Hardware Block Diagram



T00257A

Let Us Do The Heavy Lifting



- Embedded Planet offers a complete set of software and hardware services to go along with our Off-the-Shelf solutions.
- Embedded Planet has extensive experience with embedded operating systems and firmware. Our stock configurations of operating systems and firmware can be customized to meet your particular needs.
- We can alleviate the headaches associated with volume production of embedded systems. Your product is delivered 100% tested from an ISO-9002 certified manufacturing facility.
- Our capabilities are available on a project basis to design custom solutions specifically tailored to your application.
- Contact Embedded Planet to find out how we can accelerate your project.