

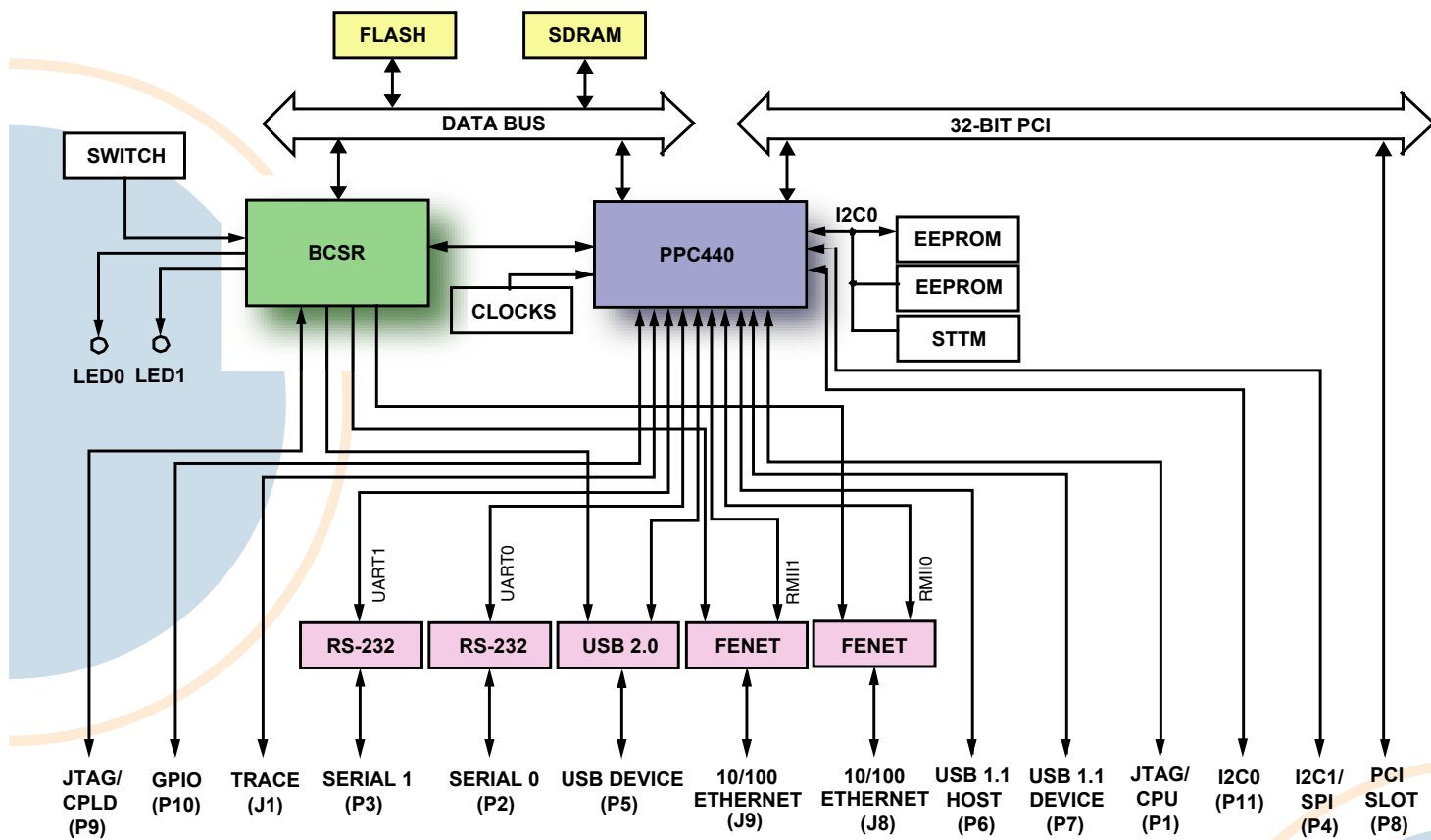
The EP440C single board computer is a flexible and capable development system for the AMCC PowerPC 440EP and 440GR processors. The EP440C board enables rapid prototyping and development of vertical solutions by combining the power of the AMCC PowerPC 440EP and 440GR processors with numerous expansion and debug options. It includes a PCI slot, serial, USB, and Ethernet interfaces for rapid prototyping of systems using standard peripheral components. In addition a full suite of software including a bootloader, flash programmer, and several operating systems ensures that building a system will be greatly simplified.

The AMCC 440EP and 440GR processors are highly integrated, powerful, and low power PowerPC cores. The 440EP runs at speeds up to 533MHz, while the 440GR can go as high as 667MHz and both include double precision floating point units, DDR memory interfaces, and integrated Ethernet, USB, UART, I2C, SPI, and PCI interfaces. The combination of high performance, integrated peripherals, and low power consumption make the AMCC 440EP and 440GR ideal for embedded industrial, medical, and networking applications

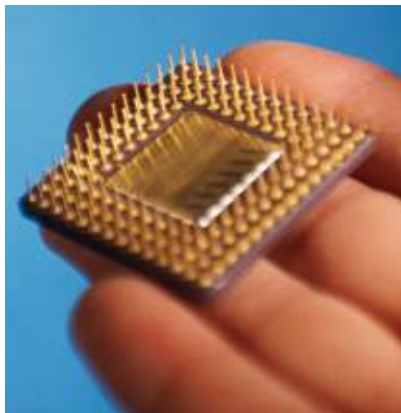
Feature Summary:

| Specification: | Description: |
|----------------|--|
| Processor: | AMCC PowerPC 440EP up to 533MHz or 440GR up to 667MHz |
| Memory: | RAM: 256MB DDR RAM FLASH: 64MB NVRAM: Up to 512kB with Real Time Clock |
| Ethernet: | 2 x 10/100 |
| Serial Ports: | 2 x RS-232 |
| USB: | USB 2.0 Device, USB 1.1 Host with 440EP processor |
| Expansion: | PCI slot, I2C/SPI header |
| I2C Devices: | Serial EEPROM, Temperature Sensor |
| Debug: | JTAG and RISCTrace with Mictor Connector for Green Hills Super Trace Probe |
| Power Supply: | 5V Wall Cube |
| Form Factor: | 5(in) x 7(in) |

Hardware Block Diagram



Let Us Do The Heavy Lifting



- Embedded Planet offers a complete set of software and hardware services to go along with our Off-the-Shelf solutions.
- Embedded Planet has extensive experience with embedded operating systems and firmware. Our stock configurations of operating systems and firmware can be customized to meet your particular needs.
- We can alleviate the headaches associated with volume production of embedded systems. Your product is delivered 100% tested from an ISO-9002 certified manufacturing facility.
- Our capabilities are available on a project basis to design custom solutions specifically tailored to your application.
- Contact Embedded Planet to find out how we can accelerate your project.