



The EP440xC single board computer is a flexible and capable development system for the AMCC PowerPC 440EPx and 440GRx processors. The EP440xC board enables rapid prototyping and development of vertical solutions by combining the power of the AMCC PowerPC 440EPx and 440GRx processors with numerous expansion and debug options. It includes PCI slots, serial, USB, and Ethernet interfaces for rapid prototyping of systems using standard peripheral components. In addition a full suite of software including a bootloader, flash programmer, and several operating systems ensures that building a system will be greatly simplified.

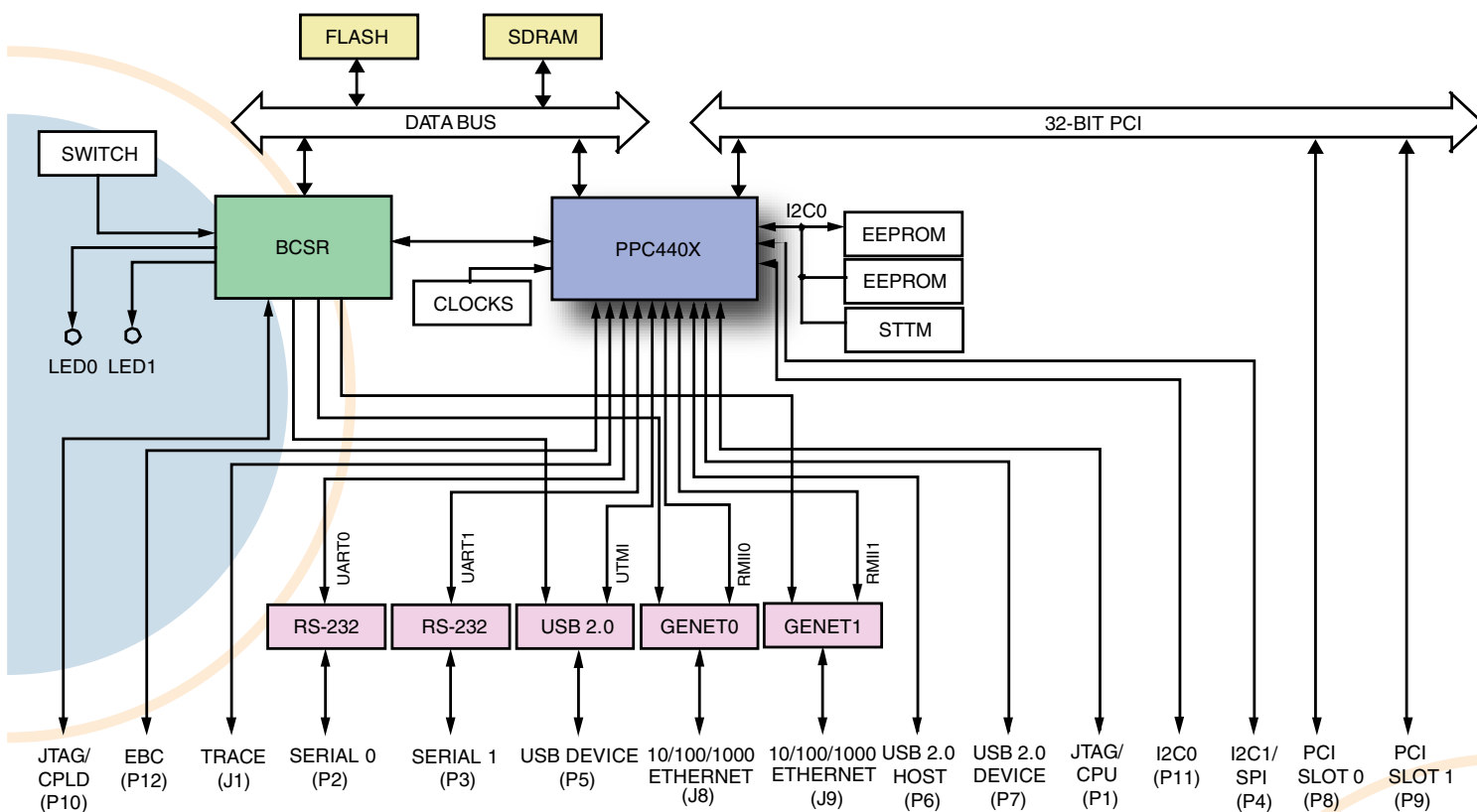
The AMCC 440EPx and 440GRx processors are powerful, highly integrated System-on-Chip (SOC) designs. They both run at speeds up to 667MHz and include integrated DDR2 memory controllers and Gigabit Ethernet, UART, I2C, PCI interfaces. In addition the 440EPx includes a floating point unit and USB 2.0 Host and Device controllers with PHYs. The combination of high performance, integrated peripherals, and low power consumption make the AMCC 440EPx and 440GRx ideal for embedded industrial, medical, and networking applications.

Contact AMCC for pricing and availability. For quantities larger than 5 units contact Embedded Planet.

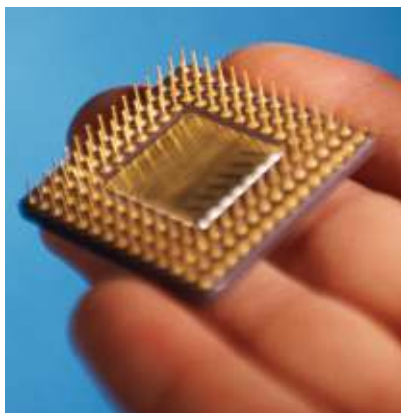
### Feature Summary:

Specification:	Description:
Processor:	AMCC PowerPC 440EPx or 440GRx up to 667MHz
Memory:	RAM: 256MB DDR2 RAM FLASH: 32MB NOR Flash and 32MB NAND Flash
Ethernet:	2 x 10/100/1000
Serial Ports:	2 x RS-232
USB:	2 USB 2.0 Device, 1 USB 2.0 Host with 440EPx processor
Expansion:	2 PCI slots, I2C/SPI header, EBC Connector
I2C Devices:	Serial EEPROM, Temperature Sensor
Debug:	JTAG and RISCTrace with Mictor Connector for Green Hills Super Trace Probe
Power Supply:	5V Wall Cube
Form Factor:	5(in) x 7(in)

## Hardware Block Diagram



## Let Us Do The Heavy Lifting



- Embedded Planet offers a complete set of software and hardware services to go along with our Off-the-Shelf solutions.
- Embedded Planet has extensive experience with embedded operating systems and firmware. Our stock configurations of operating systems and firmware can be customized to meet your particular needs.
- We can alleviate the headaches associated with volume production of embedded systems. Your product is delivered 100% tested from an ISO-9002 certified manufacturing facility.
- Our capabilities are available on a project basis to design custom solutions specifically tailored to your application.
- Contact Embedded Planet to find out how we can accelerate your project.