

The EP8343M is a PrPMC/PT0MC board designed for ease of integration into standards based CompactPCI systems. For simple software development, the EP8343M can be used in a stand alone mode with a wall cube power supply when a full CompactPCI system is unnecessary or inconvenient. You have a choice of operating systems and custom hardware diagnostics letting you focus on your application development and getting to market first.

The EP8343M features a Freescale MPC8343E PowerQUICC II Pro processor that offers a cost-effective, high-performance platform for developing advanced network enabled applications. The MPC8343E builds on the PowerQUICC II system-on-chip (SoC) architecture including an e300 PowerPC core, an integrated security engine, a DDR memory interface, dual Gigabit Ethernet controllers, PCI and USB controllers. The highly integrated SoC architecture improves system performance, simplifies board design, lowers power consumption, and reduces cost.

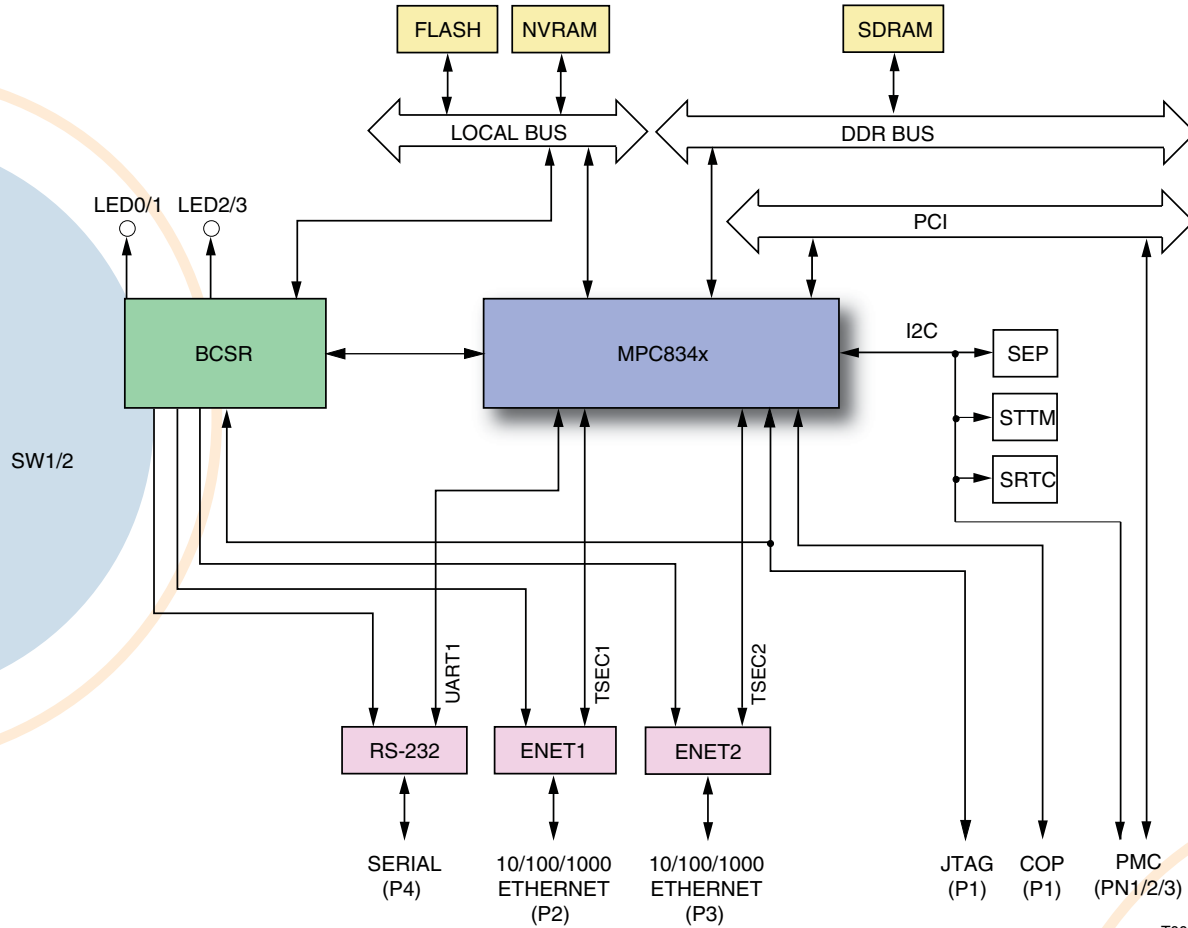
Embedded Planet can custom configure several hardware options with low minimum build requirements ensuring that you can meet your desired price point.

The EP8343M is well supported by Embedded Planet's extensive software capabilities. Each board includes the open source U-Boot bootloader and flash programmer, PlanetCore hardware diagnostics, Linux, Green Hills INTEGRITY, and VxWorks board support packages.

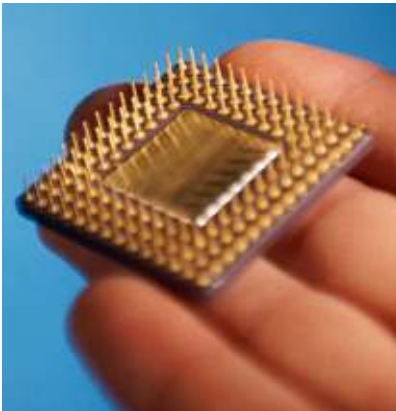
Feature Summary:

Specification:	Description:
Form Factor:	Can operate as PMC or Stand Alone module
PMC Connectors:	PrPMC/PT1MC monarch or non-monarch
Front Panel:	Two 10/100/1000BaseT Ethernet ports and One RS-232 serial port
Processor:	Freescale PowerQUICC II Pro 8343E up to 400MHz
Memory:	DDR SDRAM up to 256MB FLASH up to 256MB NVRAM up to 1MB
Debug:	JTAG/COP via onboard connector
Power Supply:	5.25 to 3.0 VDC single power supply source
Software:	Linux and VxWorks BSPs are available from Embedded Planet

Hardware Block Diagram



Let Us Do The Heavy Lifting



- Embedded Planet offers a complete set of software and hardware services to go along with our Off-the-Shelf solutions.
- Embedded Planet has extensive experience with embedded operating systems and firmware. Our stock configurations of operating systems and firmware can be customized to meet your particular needs.
- We can alleviate the headaches associated with volume production of embedded systems. Your product is delivered 100% tested from an ISO-9002 certified manufacturing facility.
- Our capabilities are available on a project basis to design custom solutions specifically tailored to your application.
- Contact Embedded Planet to find out how we can accelerate your project.