



The EP85xxM uses Freescale's PowerQUICC III processors, (MPC8540, MPC8541E, MPC8555E, or MPC8560) to create a configurable, full featured PrPMC board targeted at rapid development of networking and telecommunication applications. The board can operate in a standalone mode to rapidly prototype applications and then be deployed as a PrPMC board on a CompactPCI carrier board.

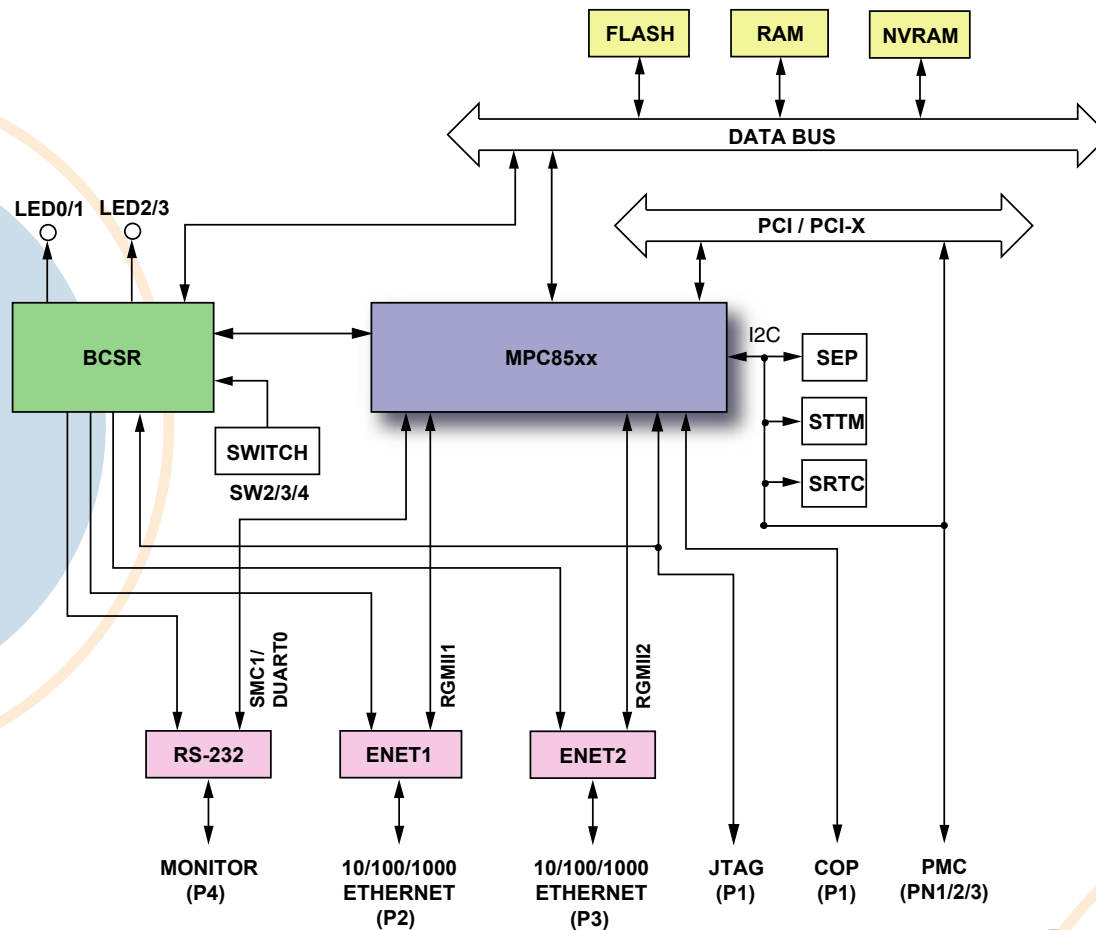
The MPC85xx PowerQUICC III family of processors from Freescale Semiconductor features an integrated e500 PowerPC core and Communications Processor Module (CPM) to provide a scalable computing solution for networked devices. The PowerPC core can run at speeds of up to 833MHz and provide general purpose control plane functionality, while the dedicated CPM offloads communications functions such as Gigabit Ethernet, HDLC protocols, and ATM. In addition the MPC8541E and MPC8555E feature integrated security engines to accelerate processing of encryption algorithms such as DES, 3DES, MD-5, SHA-1, AES and ARC-4, as well as offering a public key accelerator and on-chip random number generator.

Like all Embedded Planet products, the EP85xxM can be custom configured to meet your requirements, is volume production ready, and includes numerous OS options and firmware support.

Feature Summary:

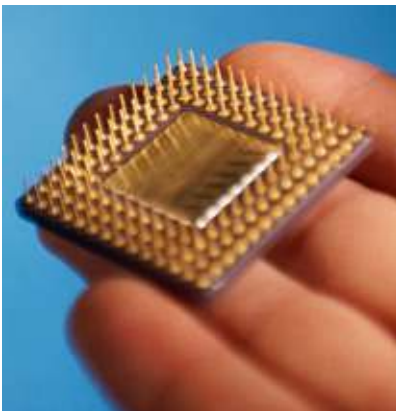
Specification:	Description:
Form Factor:	PrPMC/PT7MC (PICMG 2.15, Configuration 7)
PMC Connectors:	PCI-X bus through PMC connectors
Front Panel:	Two 10/100/1000 BaseT Ethernet RS-232 serial monitor port
Processor:	Freescale Power QUICC III PowerPC MPC8540, 8541E, 8555E, or 8560 processors up to 833MHz
Memory:	DDR SDRAM 64, 128, 256 or 512MB Flash 16, 32, 64, 128 or 256MB NVRAM 2, 4 or 8Mbit
Debug:	JTAG/COP via an onboard connector
Power Supply:	5.0 VDC single power supply source
Software:	Linux and VxWorks BSPs are available from Embedded Planet.

Hardware Block Diagram



T00246A

Let Us Do The Heavy Lifting



- Embedded Planet offers a complete set of software and hardware services to go along with our Off-the-Shelf solutions.
- Embedded Planet has extensive experience with embedded operating systems and firmware. Our stock configurations of operating systems and firmware can be customized to meet your particular needs.
- We can alleviate the headaches associated with volume production of embedded systems. Your product is delivered 100% tested from an ISO-9002 certified manufacturing facility.
- Our capabilities are available on a project basis to design custom solutions specifically tailored to your application.
- Contact Embedded Planet to find out how we can accelerate your project.