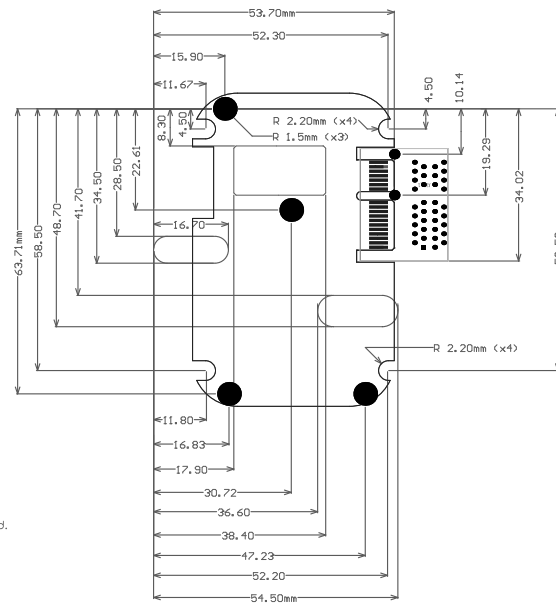


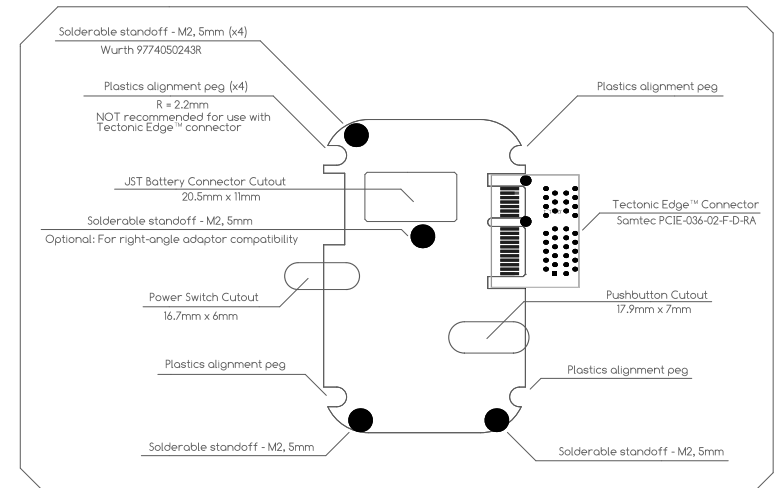
Suggested Layout for Agora (Tectonic Edge™ insertion travel specs)

All dims in mm
 All measurements based on an insertion travel length of 9mm.
 A longer insertion travel length is up to the discretion of the designer. A shorter length, however, is not recommended.



Suggested Layout for Agora (Dimensions)

All dims in mm



Suggested Host Board Layout for Agora (Feature Reference)